

PARTS LIST

BL8500SP

CONTENTS

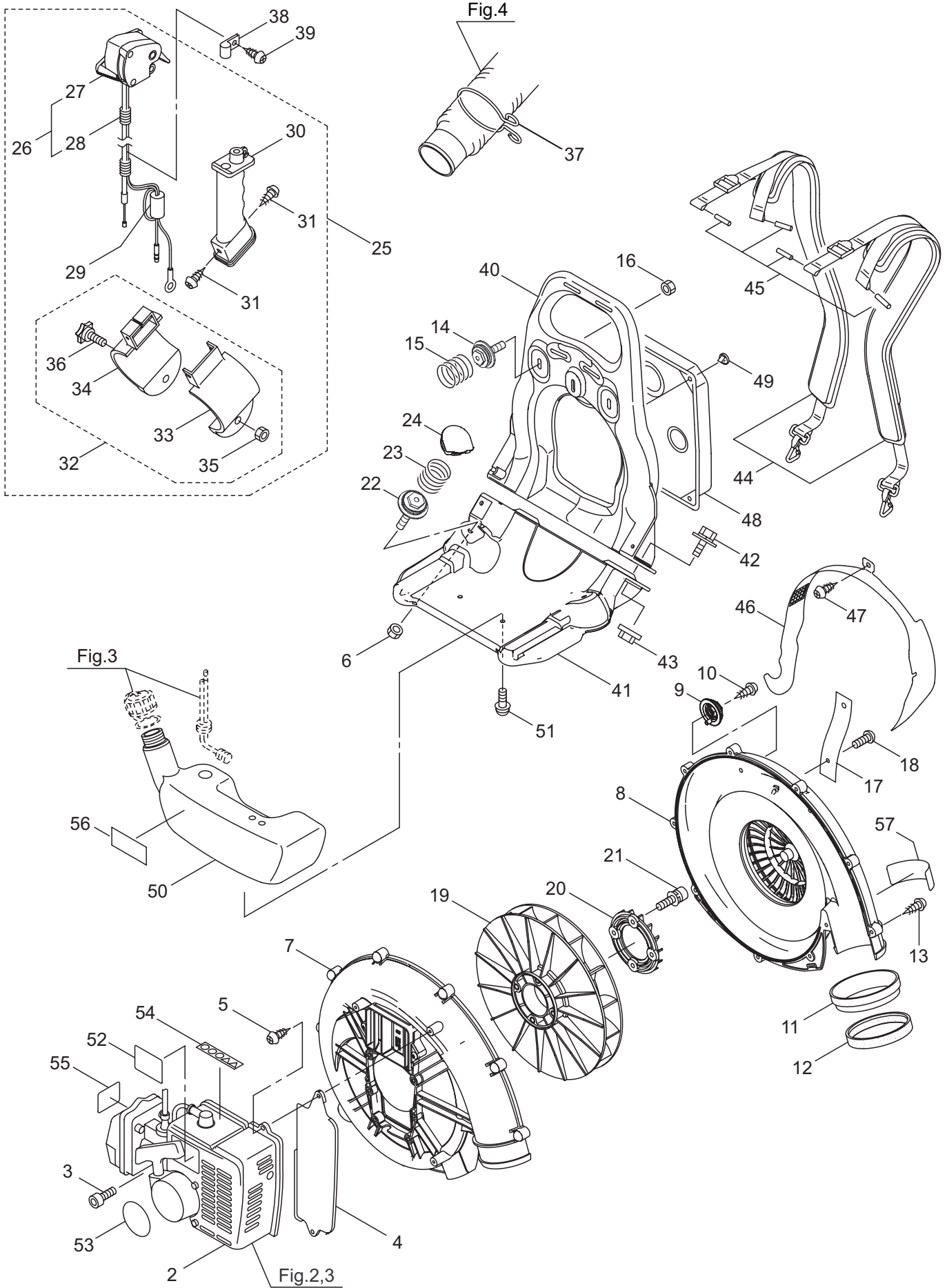
| | |
|--|---------|
| 1. FRAME & BLOWER | 1 ~ 4 |
| 2. ENGINE (CYLINDER, CRANKCASE) | 5 ~ 8 |
| 3. ENGINE (CARBURETOR, AIR FILTER) | 9 ~ 12 |
| 4. ACCESSORIES | 13 ~ 14 |

2015. 04.



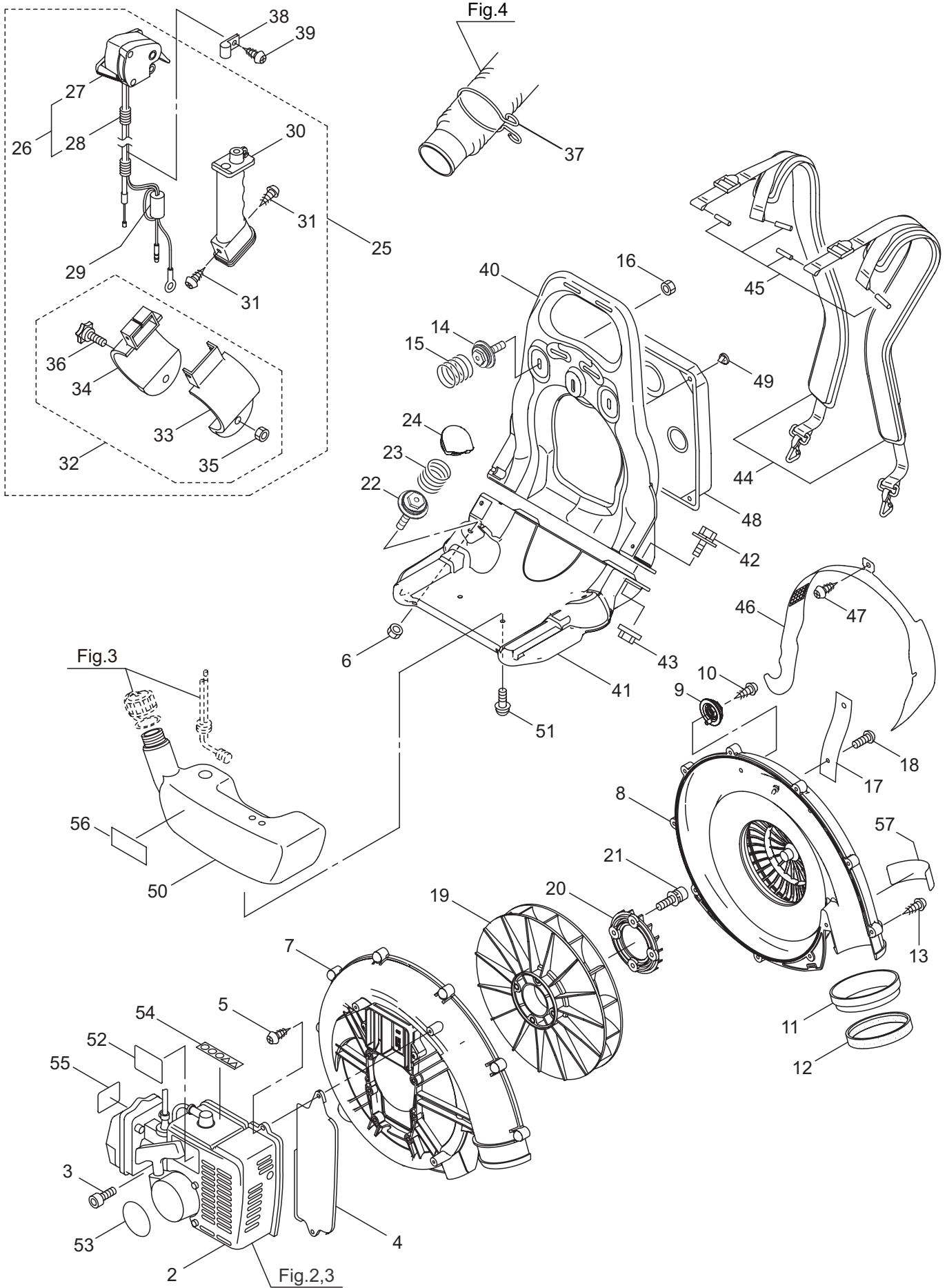
P/N 524063

1. BL8500SP
FRAME & BLOWER



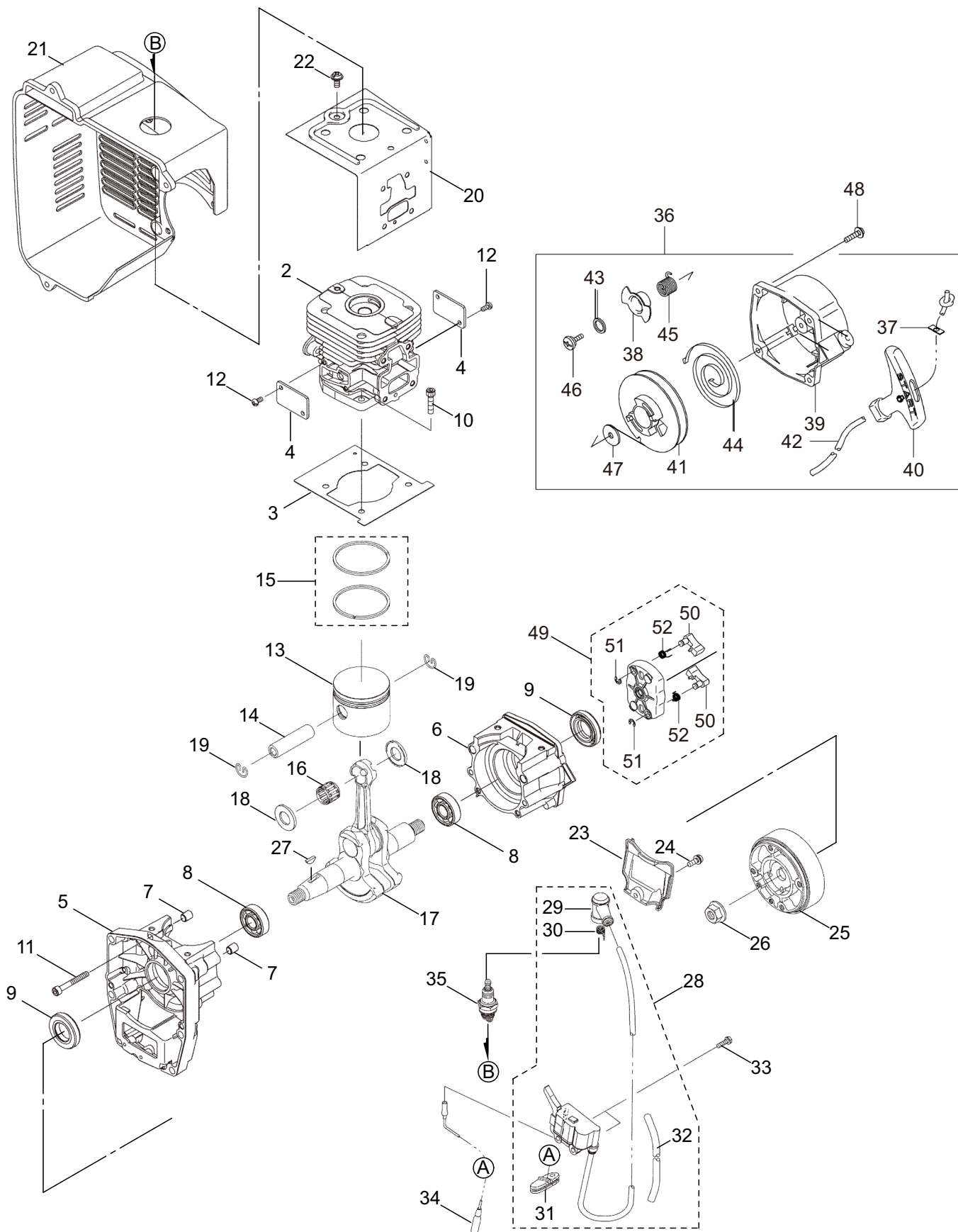
| Ref. No. | Part No. | Part Name | Q'ty | Remarks |
|----------|----------|------------------------|------|---------------|
| 1-1 | 395850 | BL8500SP | 1 | |
| 1-2 | 274484 | Engine | 1 | TK065D-KG23 |
| 1-3 | 128142 | Bolt | 6 | M6x30 |
| 1-4 | 125404 | Gasket | 1 | |
| 1-5 | 127295 | Screw | 3 | M5x16(P-type) |
| 1-6 | 127228 | Nut | 2 | M6 |
| 1-7 | 125405 | Fan Case (Engine Side) | 1 | |
| 1-8 | 131508 | Fan Case (Frame Side) | 1 | |
| 1-9 | 131512 | Plug (A) | 2 | |
| 1-10 | 131523 | Tapping Screw | 2 | M5x20 |
| 1-11 | 119160 | Collar | 1 | |
| 1-12 | 119161 | Rubber Band | 1 | |
| 1-13 | 130420 | Tapping Screw | 10 | M5x25 |
| 1-14 | 132121 | Plug (C) Comp | 2 | |
| 1-15 | 131514 | Spring | 2 | |
| 1-16 | 127228 | Nut | 2 | M6 |
| 1-17 | 131516 | Strap | 1 | |
| 1-18 | 127238 | Screw | 1 | M6x13 |
| 1-19 | 128908 | Fan | 1 | |
| 1-20 | 128910 | Ring | 1 | |
| 1-21 | 128911 | Bolt | 4 | M6x40 |
| 1-22 | 132121 | Plug (C) Comp | 2 | |
| 1-23 | 131514 | Spring | 2 | |
| 1-24 | 131571 | Plug (B) | 2 | |
| 1-25 | 126327 | Throttle Ass'y | 1 | Incl.26-36 |
| 1-26 | 126729 | Throttle Ass'y | 1 | Incl.27,28 |
| 1-27 | 125756 | Throttle | 1 | |
| 1-28 | 126734 | Throttle Wire Ass'y | 1 | |
| 1-29 | 129845 | Ferrite Core | 1 | |
| 1-30 | 118811 | Grip | 1 | |
| 1-31 | 127297 | Screw | 2 | M5x20 |
| 1-32 | 122609 | Band | 1 | Incl.33-36 |
| 1-33 | 122414 | Holder, (A) | 1 | |
| 1-34 | 122416 | Holder, (B) | 1 | |
| 1-35 | 127298 | Nut | 1 | M6 |
| 1-36 | 127299 | Knob Bolt | 1 | M6x30 |
| 1-37 | 127305 | Clamp | 1 | |
| 1-38 | 126049 | Clamp | 1 | |
| 1-39 | 127300 | Screw | 1 | M5x18 |
| 1-40 | 130766 | Backpack Frame A | 1 | |
| 1-41 | 125429 | Backpack Frame B | 1 | |
| 1-42 | 127301 | Bolt | 4 | M6x20(SM) |
| 1-43 | 127228 | Nut | 4 | M6 |
| 1-44 | 130036 | Shoulder Strap Ass'y | 1 | |
| 1-45 | 125717 | Pin | 4 | |

1. BL8500SP
FRAME & BLOWER



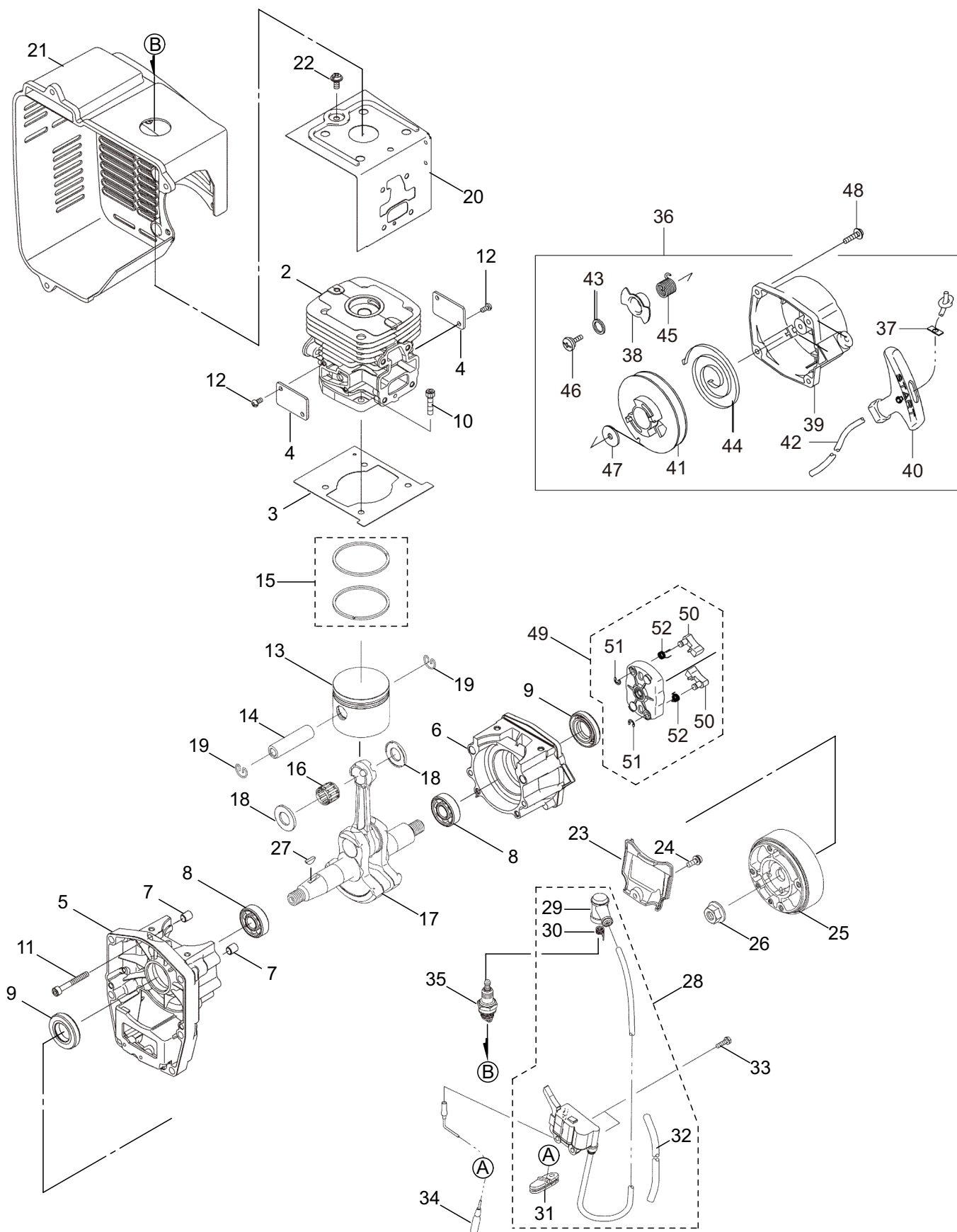
| Ref. No. | Part No. | Part Name | Q'ty | Remarks |
|----------|----------|-------------|------|----------|
| 1-46 | 131374 | Sheet | 1 | |
| 1-47 | 127786 | Screw | 1 | M5x12 |
| 1-48 | 130221 | Cushion Pad | 1 | |
| 1-49 | 100749 | Fastener | 4 | #7 |
| 1-50 | 127707 | Fuel Tank | 1 | |
| 1-51 | 125561 | Screw | 2 | M5x14 |
| 1-52 | 274485 | Label | 1 | BL8500SP |
| 1-53 | 130126 | Label | 1 | |
| 1-54 | 266959 | Label | 1 | Caution |
| 1-55 | 125747 | Label | 1 | |
| 1-56 | 121132 | Label | 1 | Caution |
| 1-57 | 274486 | Label | 1 | |

2. BL8500SP ENGINE (CYLINDER, CRANKCASE)



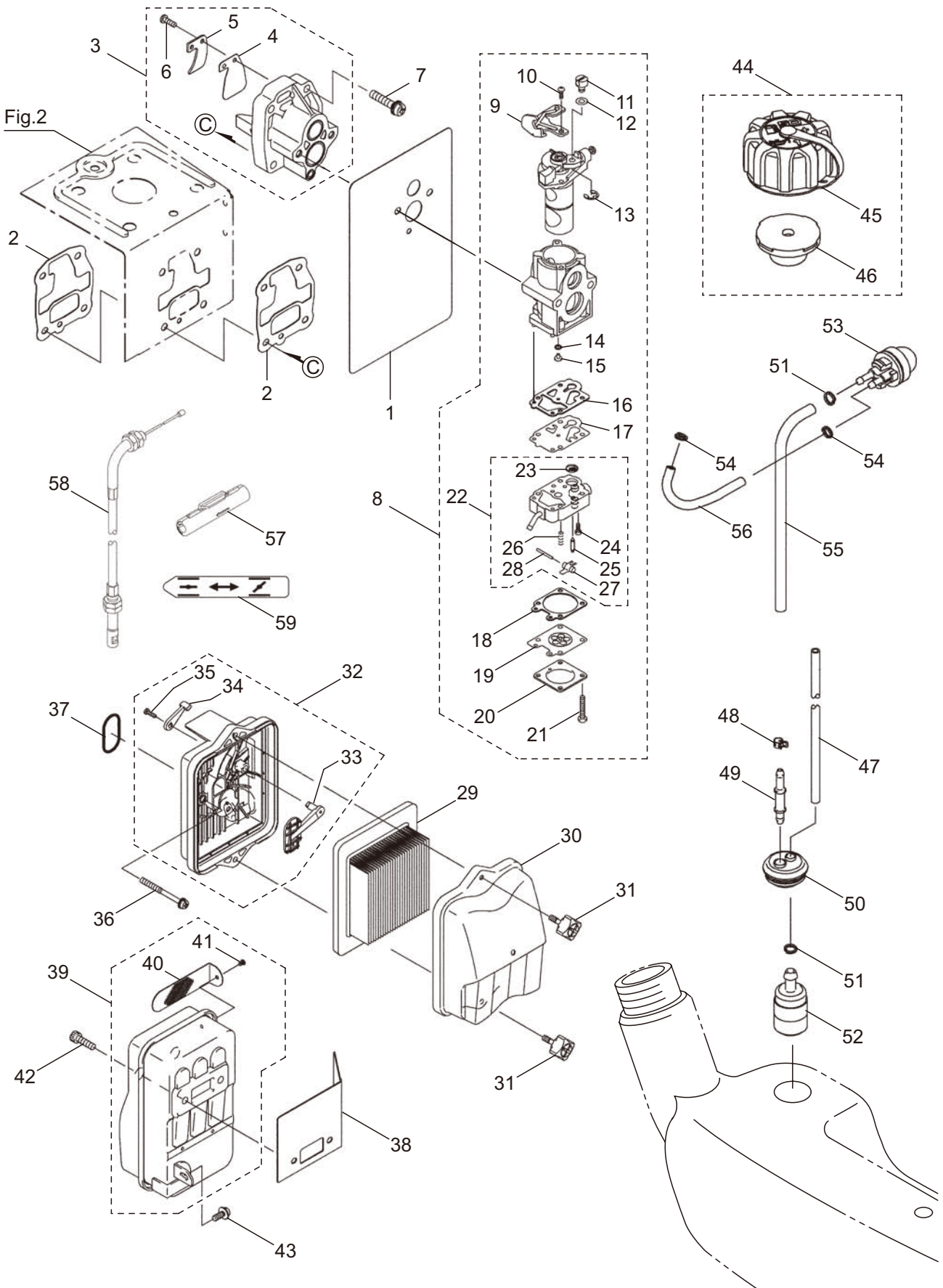
| Ref. No. | Part No. | Part Name | Q'ty | Remarks |
|----------|----------|----------------------|------|-------------|
| 2-1 | 274484 | Engine | 1 | TK065D-KG23 |
| 2-2 | 426073 | Cylinder | 1 | |
| 2-3 | 426074 | Gasket | 1 | |
| 2-4 | 426075 | Plate | 2 | |
| 2-5 | 426076 | Crankcase | 1 | |
| 2-6 | 426077 | Crankcase | 1 | |
| 2-7 | 419524 | Pin | 2 | |
| 2-8 | 426078 | Bearing | 2 | #6303C3 |
| 2-9 | 419527 | Oil Seal | 2 | |
| 2-10 | 416110 | Bolt, Socket | 4 | 5x20 |
| 2-11 | 426079 | Bolt | 4 | 5x40 |
| 2-12 | 416111 | Screw | 4 | 4x8 |
| 2-13 | 426080 | Piston | 1 | |
| 2-14 | 649322 | Piston Pin | 1 | |
| 2-15 | 426081 | Piston Ring Set | 1 | |
| 2-16 | 649325 | Bearing | 1 | |
| 2-17 | 426082 | Crankshaft Ass'y | 1 | |
| 2-18 | 426083 | Spacer | 2 | |
| 2-19 | 419536 | Snap Ring | 2 | |
| 2-20 | 426084 | Shroud | 1 | |
| 2-21 | 426342 | Shroud | 1 | |
| 2-22 | 419543 | Screw | 1 | 5x12 |
| 2-23 | 426086 | Cover | 1 | |
| 2-24 | 419529 | Screw | 1 | |
| 2-25 | 426087 | Flywheel | 1 | |
| 2-26 | 419554 | Nut | 1 | 10mm |
| 2-27 | 419549 | Key | 1 | |
| 2-28 | 426410 | Ignition Coil Ass'y | 1 | Incl.29-32 |
| 2-29 | 426088 | Spark Plug Cap | 1 | |
| 2-30 | 426409 | Tarminal | 1 | |
| 2-31 | 426093 | Grommet | 1 | |
| 2-32 | 426094 | Tube | 1 | |
| 2-33 | 419552 | Bolt | 2 | 4x14 |
| 2-34 | 426091 | Lead Wire | 1 | |
| 2-35 | 426092 | Spark Plug | 1 | BPMR7A-9 |
| 2-36 | 426346 | Recoil Starter Ass'y | 1 | Incl.37-47 |
| 2-37 | 944502 | Plate | 1 | |
| 2-38 | 426344 | Retainer | 1 | |
| 2-39 | 426345 | Starter Case | 1 | |
| 2-40 | 998437 | Grip | 1 | |
| 2-41 | 426347 | Reel | 1 | |
| 2-42 | 419586 | Rope | 1 | |
| 2-43 | 944978 | Thrust Washer | 1 | |
| 2-44 | 426348 | Spiral Spring | 1 | |
| 2-45 | 426349 | Spring | 1 | |

2. BL8500SP ENGINE (CYLINDER, CRANKCASE)



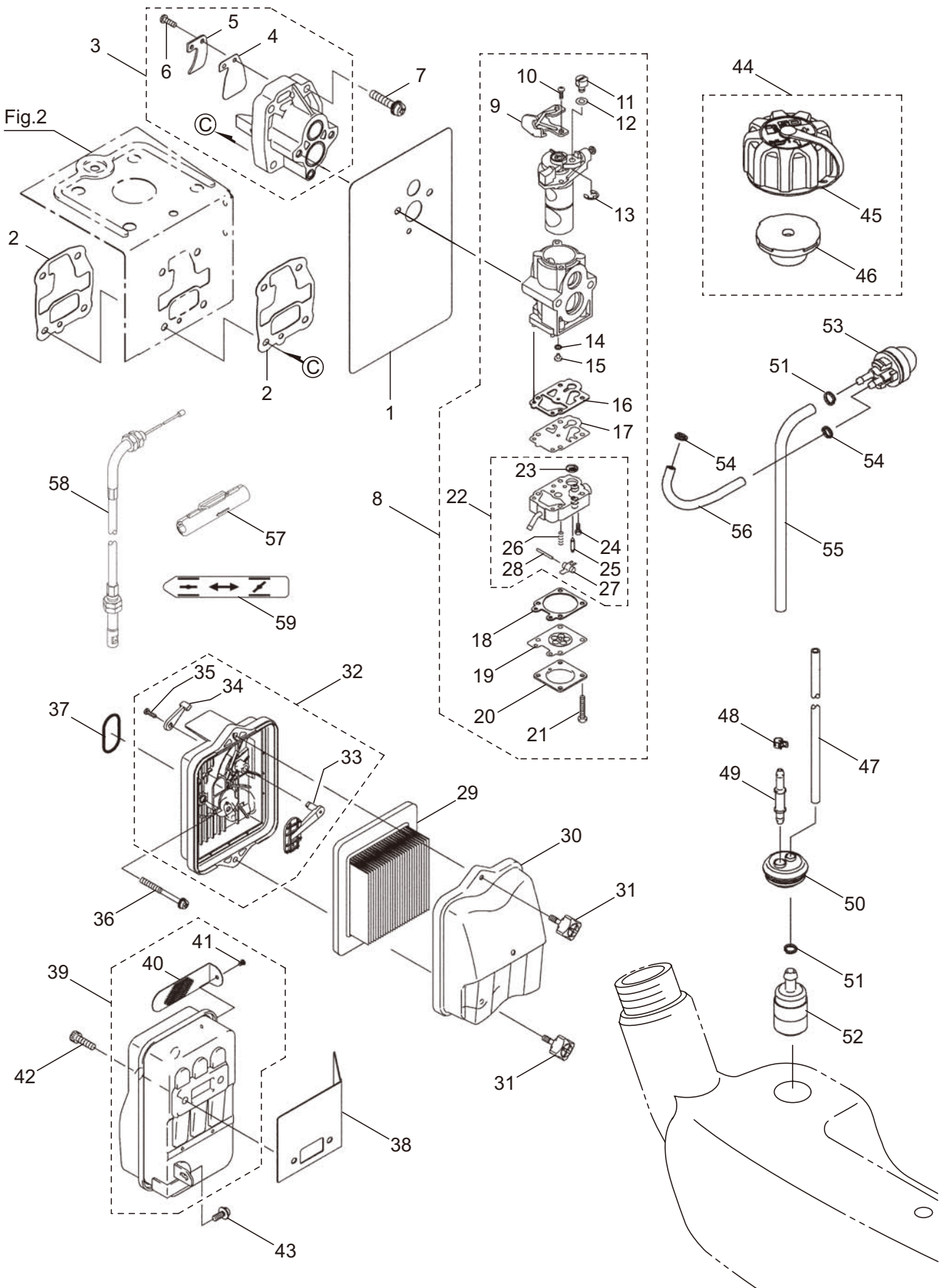
| Ref. No. | Part No. | Part Name | Q'ty | Remarks |
|----------|----------|-----------------|------|------------|
| 2-46 | 416177 | Screw | 1 | |
| 2-47 | 426350 | Washer | 1 | |
| 2-48 | 419588 | Screw | 4 | |
| 2-49 | 419583 | Starting Pulley | 1 | Incl.50-52 |
| 2-50 | 419581 | Pawl | 2 | |
| 2-51 | 944226 | Snap Ring | 2 | |
| 2-52 | 416281 | Spring | 2 | |

3. BL8500SP ENGINE (CARBURETOR, AIR FILTER)



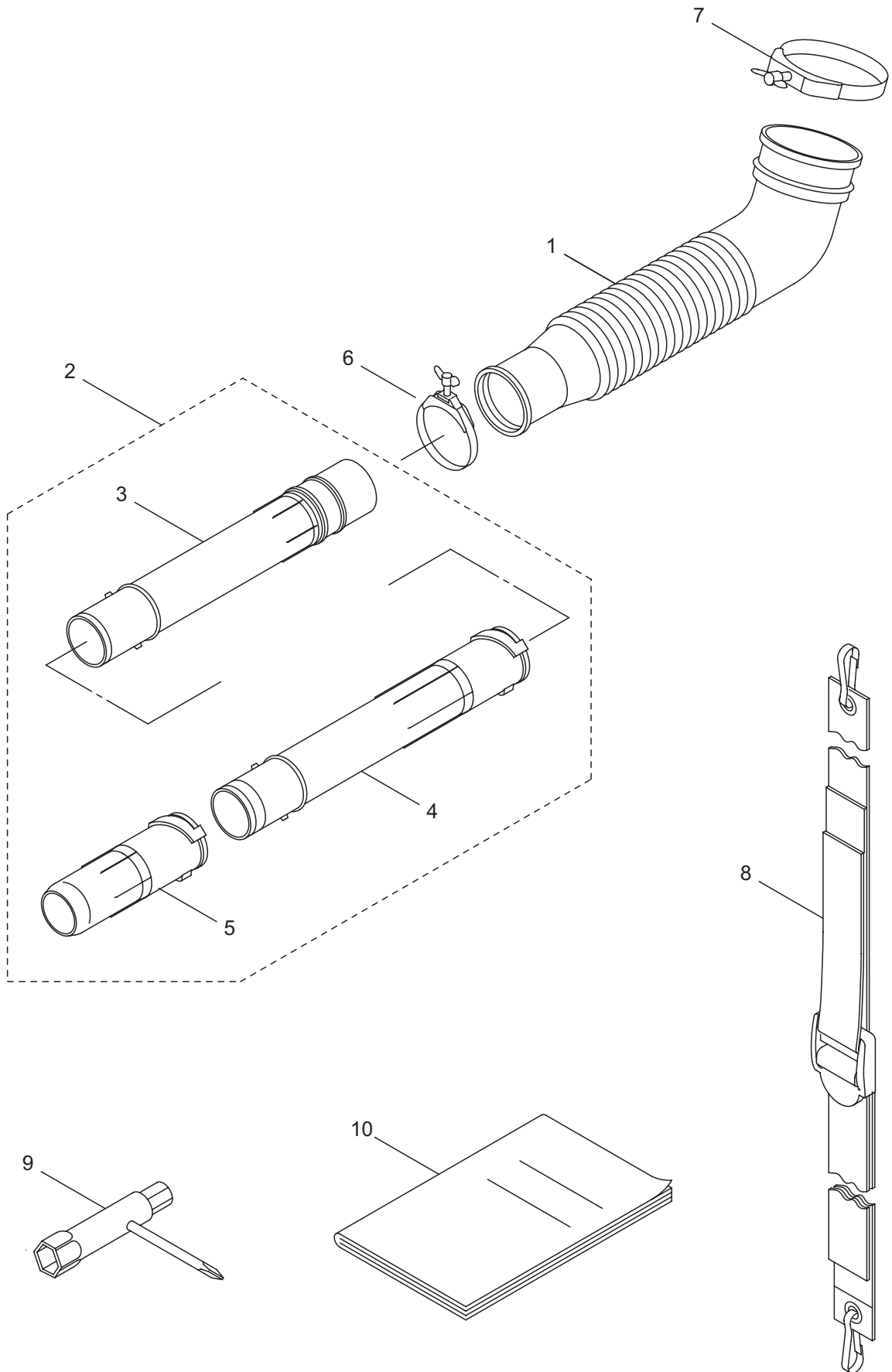
| Ref. No. | Part No. | Part Name | Q'ty | Remarks |
|----------|----------|--------------------------|------|------------|
| 3-1 | 426096 | Gasket | 1 | |
| 3-2 | 426095 | Gasket | 2 | |
| 3-3 | 426097 | Reed Valve Ass'y | 1 | Incl.4-6 |
| 3-4 | 419560 | Reed Valve | 1 | |
| 3-5 | 419562 | Stopper | 1 | |
| 3-6 | 419564 | Screw | 2 | 3x12 |
| 3-7 | 577361 | Screw | 4 | M5x25 |
| 3-8 | 426098 | Carburetor Ass'y | 1 | Incl.9-28 |
| 3-9 | 649338 | Bracket | 1 | |
| 3-10 | 577179 | Screw | 2 | |
| 3-11 | 598415 | Arm | 1 | |
| 3-12 | 624532 | Washer | 1 | |
| 3-13 | 577175 | Snap Ring | 1 | |
| 3-14 | 577182 | O-Ring | 1 | |
| 3-15 | 649349 | Main Jet | 1 | #55.5 |
| 3-16 | 634350 | Gasket | 1 | |
| 3-17 | 577185 | Diaphragm | 1 | |
| 3-18 | 649339 | Gasket | 1 | |
| 3-19 | 416148 | Diaphragm | 1 | |
| 3-20 | 649343 | Cover | 1 | |
| 3-21 | 649348 | Screw | 4 | |
| 3-22 | 649346 | Body | 1 | Incl.23-28 |
| 3-23 | 624430 | Filter | 1 | |
| 3-24 | 624432 | Screw | 1 | |
| 3-25 | 624431 | Float Valve | 1 | |
| 3-26 | 624434 | Spring | 1 | |
| 3-27 | 624429 | Lever | 1 | |
| 3-28 | 624433 | Pin | 1 | |
| 3-29 | 426099 | Air Filter Element Ass'y | 1 | |
| 3-30 | 426102 | Cap | 1 | |
| 3-31 | 426108 | Bolt | 2 | |
| 3-32 | 426100 | Case Ass'y | 1 | Incl.33-35 |
| 3-33 | 426104 | Valve | 1 | |
| 3-34 | 426103 | Lever | 1 | |
| 3-35 | 419577 | Screw | 1 | 3x10 |
| 3-36 | 423452 | Screw | 2 | 5x55 |
| 3-37 | 423450 | O-Ring | 1 | |
| 3-38 | 426101 | Gasket | 1 | |
| 3-39 | 426106 | Maffler Ass'y | 1 | Incl.40,41 |
| 3-40 | 426105 | Spark Arrester | 1 | |
| 3-41 | 416161 | Screw | 1 | |
| 3-42 | 426107 | Bolt | 2 | 6x20 |
| 3-43 | 419529 | Screw | 1 | |
| 3-44 | 425443 | Tank Cap Ass'y | 1 | Incl.45,46 |
| 3-45 | 649364 | Tank Cap Ass'y | 1 | |

3. BL8500SP
ENGINE (CARBURETOR, AIR FILTER)



| Ref. No. | Part No. | Part Name | Q'ty | Remarks |
|----------|----------|-------------------|------|----------|
| 3-46 | 425442 | Breather | 1 | |
| 3-47 | 649369 | Tube | 1 | 3x5x305 |
| 3-48 | 944177 | Clamp | 1 | |
| 3-49 | 632199 | Joint | 1 | |
| 3-50 | 597949 | Fuel Tank Grommet | 1 | |
| 3-51 | 419579 | Clamp | 2 | |
| 3-52 | 625872 | Fuel Filter | 1 | |
| 3-53 | 415374 | Priming Pump | 1 | |
| 3-54 | 419580 | Clamp | 2 | |
| 3-55 | 415375 | Tube | 1 | 3x6x145 |
| 3-56 | 649368 | Tube | 1 | 2.3x5x93 |
| 3-57 | 419555 | Case | 1 | |
| 3-58 | 419556 | Throttle Cable | 1 | |
| 3-59 | 419590 | Label | 1 | |

4. BL8500SP
ACCESSORIES



| Ref. No. | Part No. | Part Name | Q'ty | Remarks |
|----------|----------|--------------------|------|----------|
| 4-1 | 123413 | Flexible Pipe | 1 | |
| 4-2 | 125145 | Pipe Ass'y | 1 | Incl.3-5 |
| 4-3 | 122395 | Swivel Pipe | 1 | |
| 4-4 | 122400 | Straight Pipe | 1 | 510L |
| 4-5 | 125146 | Cone Pipe | 1 | |
| 4-6 | 128188 | Clamp Ass'y | 1 | #85 |
| 4-7 | 128189 | Clamp Ass'y | 1 | #105 |
| 4-8 | 125439 | Hip Belt Ass'y | 1 | |
| 4-9 | 127099 | Box Spanner | 1 | |
| 4-10 | 274487 | Instruction Manual | 1 | BL8500SP |